

# Angle Sensor TS-90

## Datasheet

### TS-90

#### Feature

- Miniture Angle Sensor for Travel up to 0-60 Degree
- Measurement Range from 0-60°
- High Accuracy and Stability,  $\pm 5\%$  up to 60° travel
- Compact, Durable, and Reliable
- Long LifeTime Cycle
- Sealing to IP64

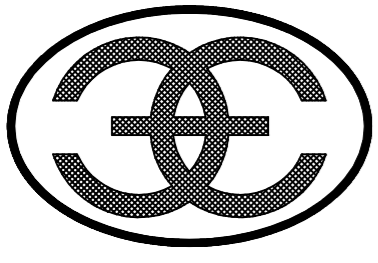
#### Application

- Position Feedback in Dump Truck Platform (CCS System)
- Cam and Butterfly Flap Position
- Tilt Warning System for Work Platform
- Tilt Warning Hoist Leveling Elevated
- Agricultural Machinery, Forklift Trucks, Stackers
- Safety cut-out for cranes with hydraulic leveling



#### Specification

Measurement Range	0-60 Degree
Supply Voltage	12-24 VDC
Output Signal	4-20 mA
Output Impedance	$\leq 500$ Ohm
Operating Temperature Range	0-60 °C
Vibration	10 g / 500 Hz
Shock	50 g / 11 ms
Rotational Life	$5 \times 10^6$ Cycle
Environmental Sealing	IP64
Electrical Connection	2x1 mm <sup>2</sup> , Standard Length 1 m
Housing Material	Aluminium, PVC
Dimensions	60 x 50 x 40 mm
Weight	150 g (Without Base)

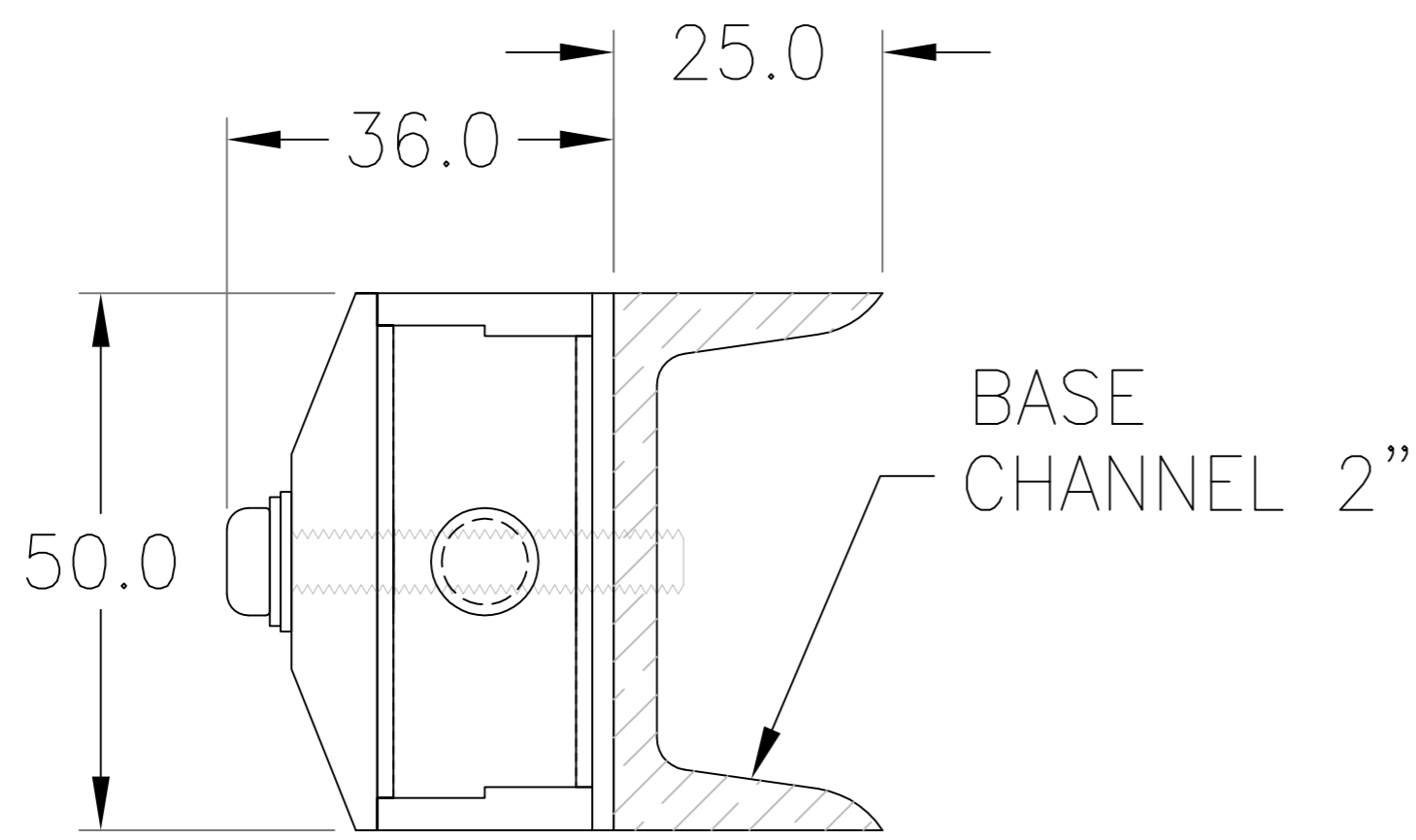


# Angle Sensor TS-90

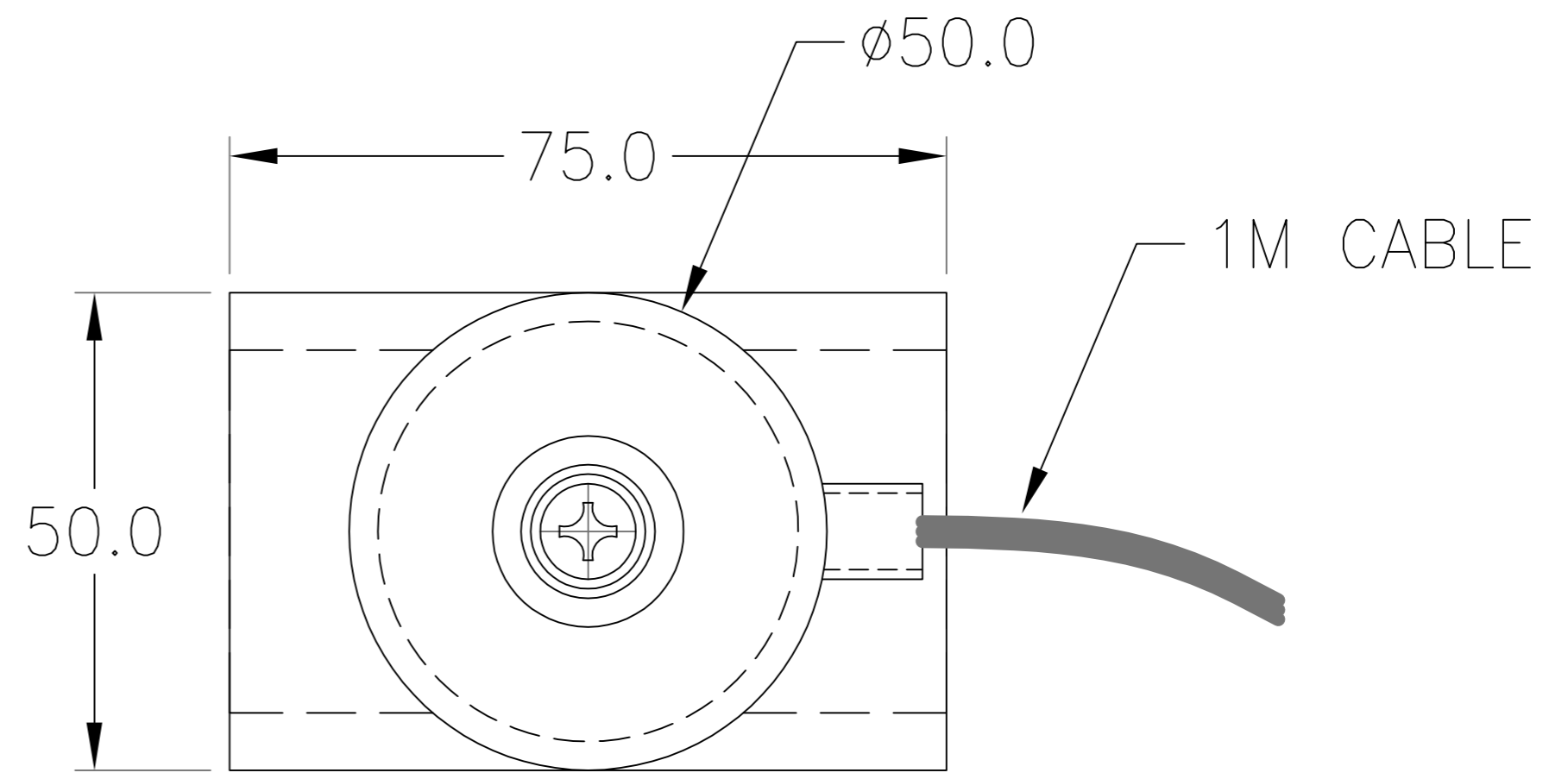
## Datasheet

### TS-90

#### Dimension



SIDE VIEW



TOP VIEW

#### Installation

##### Position Feedback in Dump Truck Platform (CCS System)

